

APPLICATION:

PRODUCT NAME:

ADJ. WALL POT FILLER W/DJ SPOUT

JOB NAME:

SPECIAL CONFIGURATION
 CHECK BASE MODEL AND OPTIONS

QUANTITY:

ITEM NO.

MODEL:

5010

OPTIONS OR MODIFICATIONS:

- SUPPLY LINES (24" OR 36") CIRCLE LENGTH
- NIPPLES
- ELBOWS
- HANDLES (CROSS OR WRIST) CIRCLE STYLE
- VANDAL RESISTANT KIT
- OTHER _____

FEATURES:

- * 8" BACKSPLASH
- * SWIVELLING SEAT DISKS
- * HOT SIDE STEM - LEFT HAND, COLD - RIGHT HAND
- * STAINLESS STEEL SEATS
- * STAINLESS STEEL SEAT SCREWS
- * STAINLESS STEEL HANDLE SCREWS
- * TURN DOWN SPOUT

RECOMMENDED SETTINGS

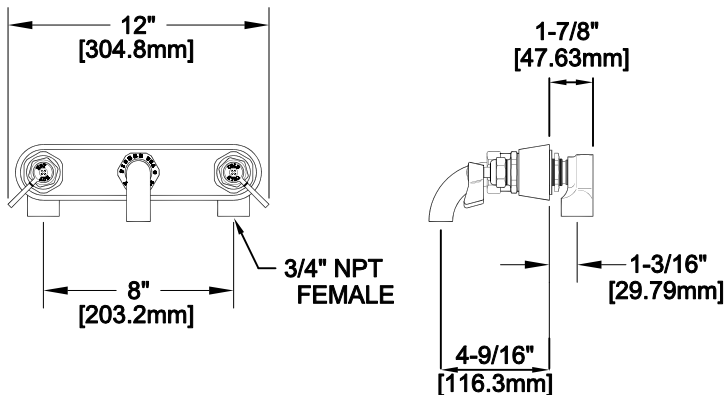
- * 110°F AT 80 PSI

SYSTEM LIMITS

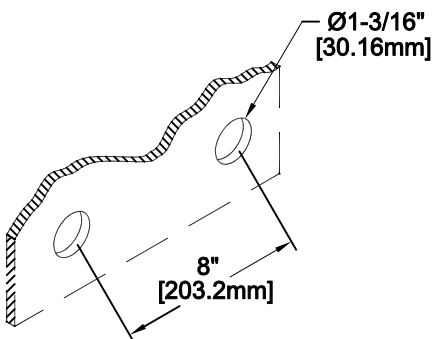
- * TEMP: 40°F MIN. TO 140°F MAX.
- * PRESSURE 200 PSI MAX. STATIC
- * 37 GPM @ 80 PSI

SHIPPING WEIGHT

- * 6.0 LBS



ROUGH-IN:



ANSI/A112.18.1M

FISHER

FISHER MANUFACTURING COMPANY

TOLL FREE: 800-421-6162 - FAX: 800-832-8238

information@fisher-mfg.com - www.fisher-mfg.com